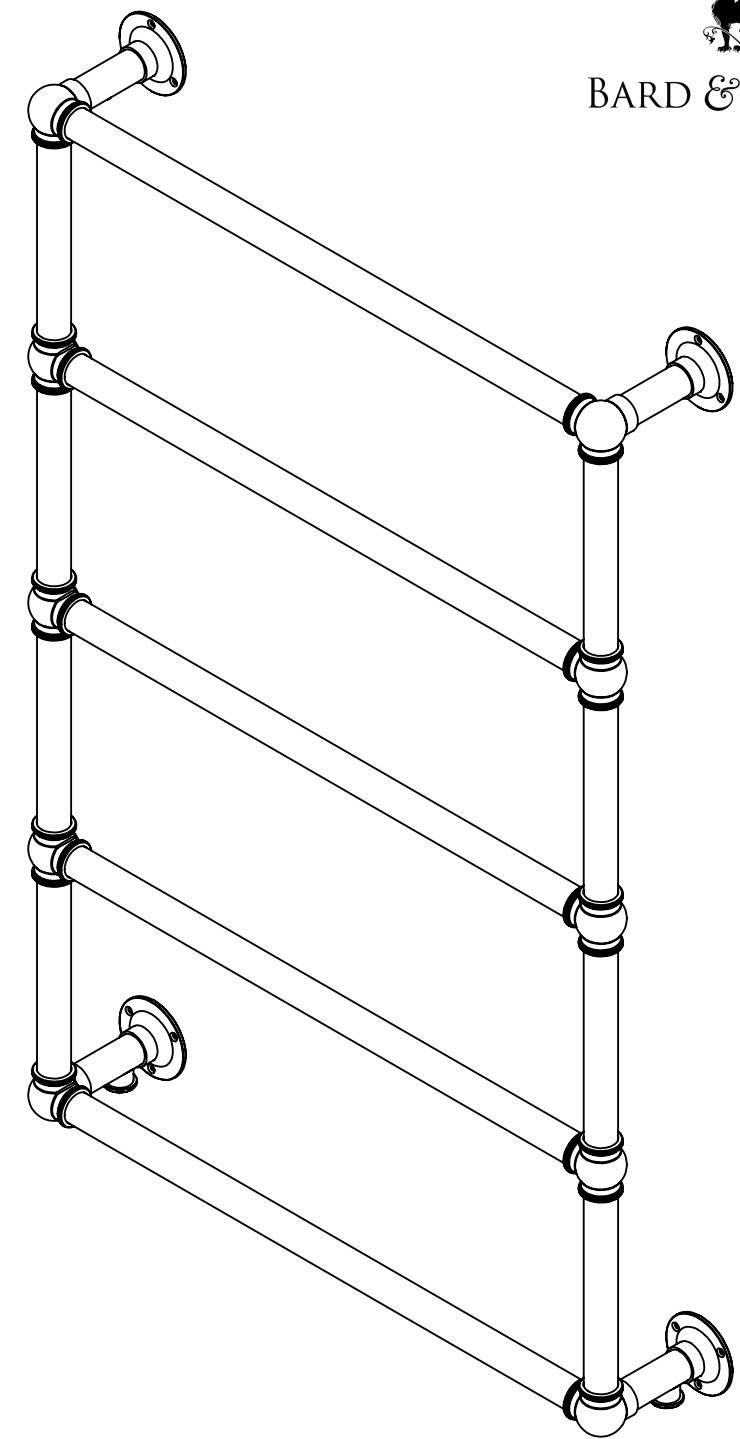
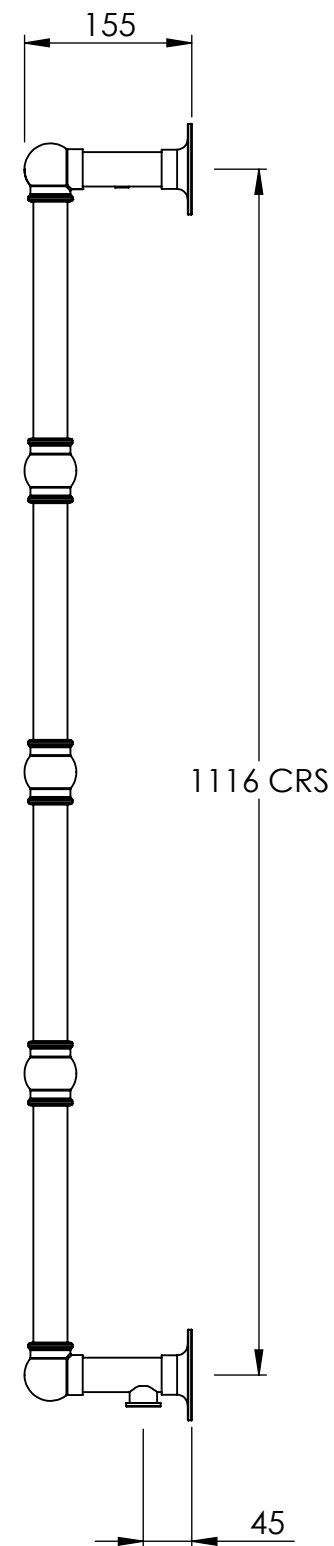
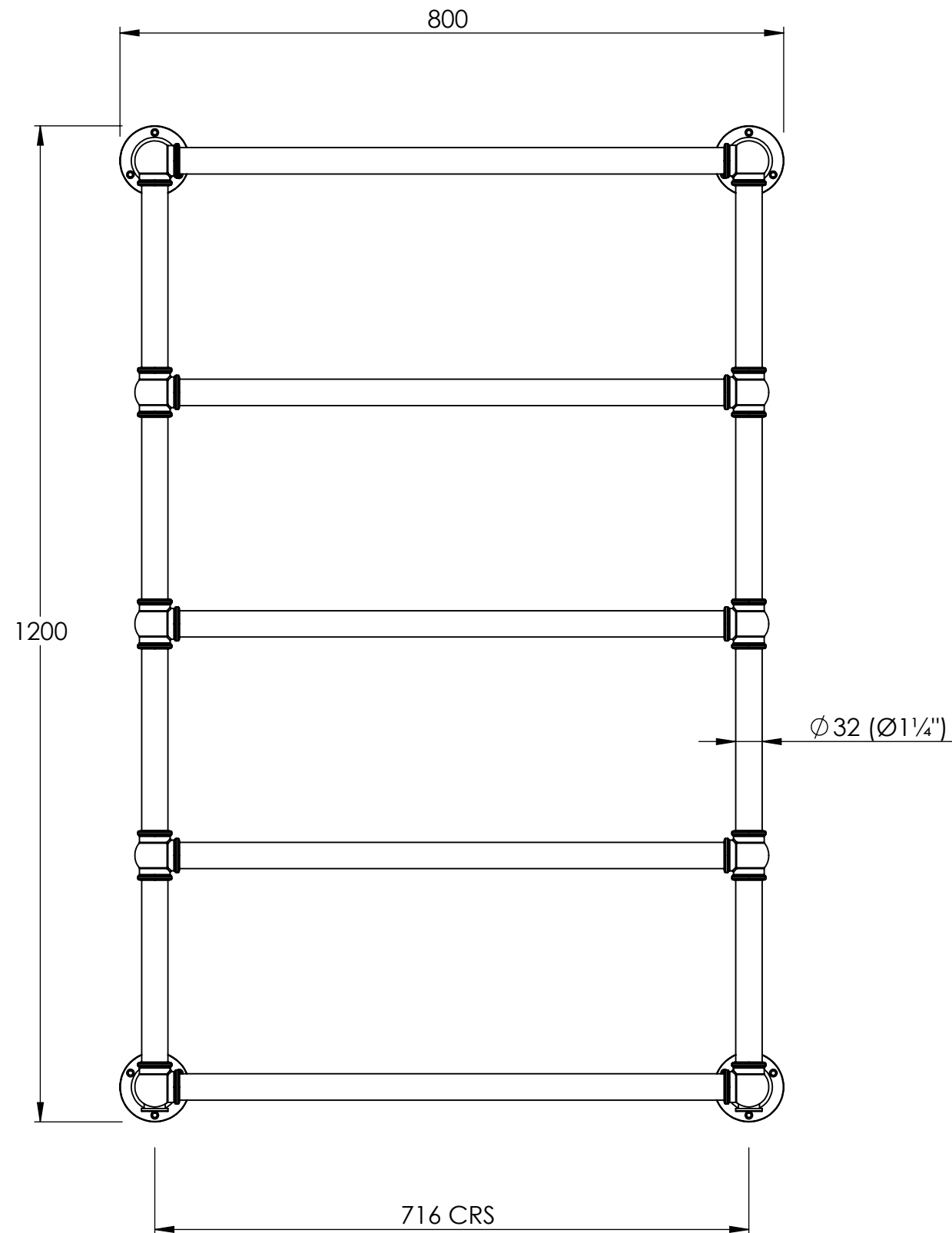




BARD & BRAZIER

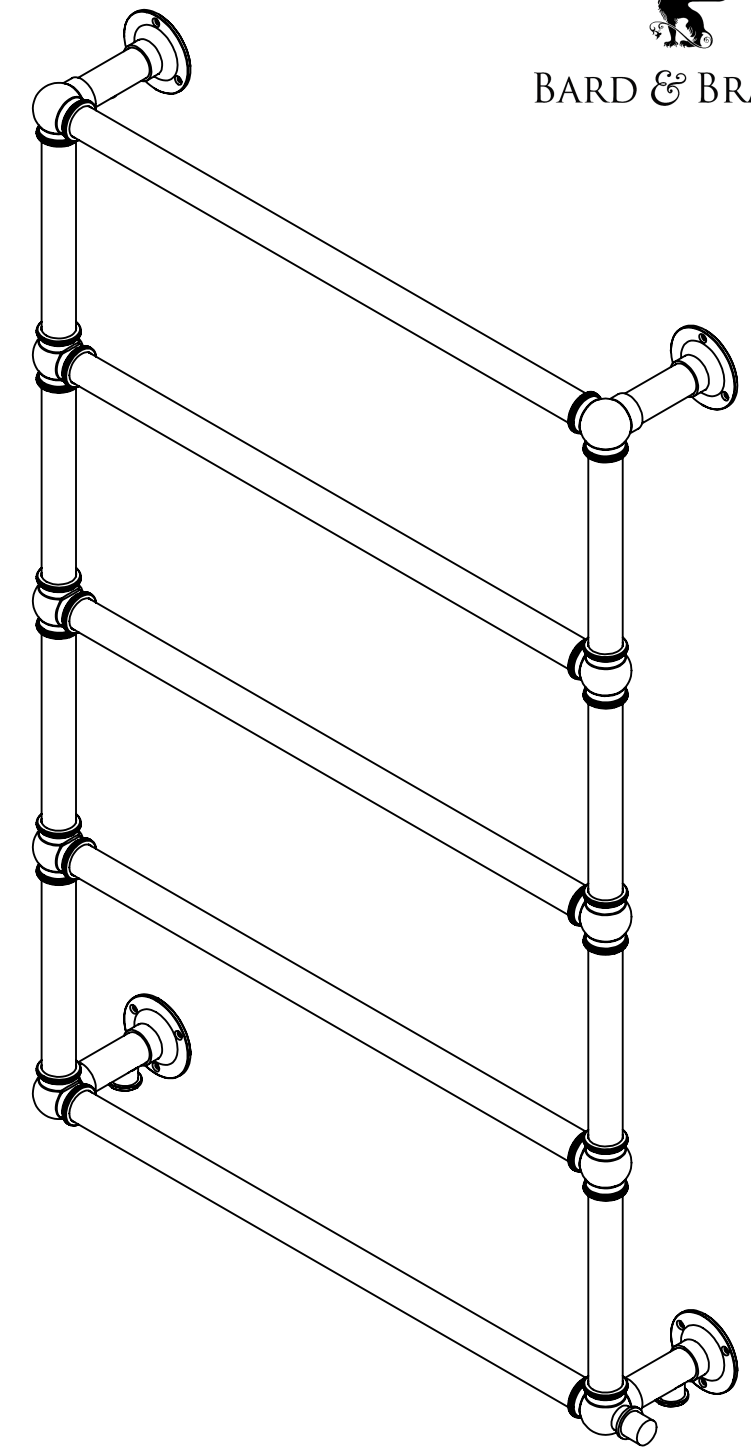
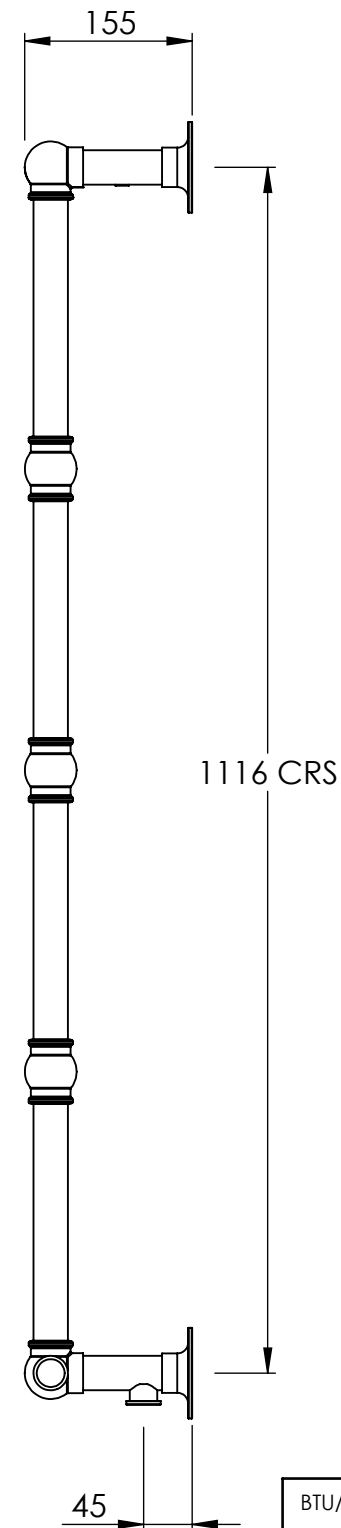
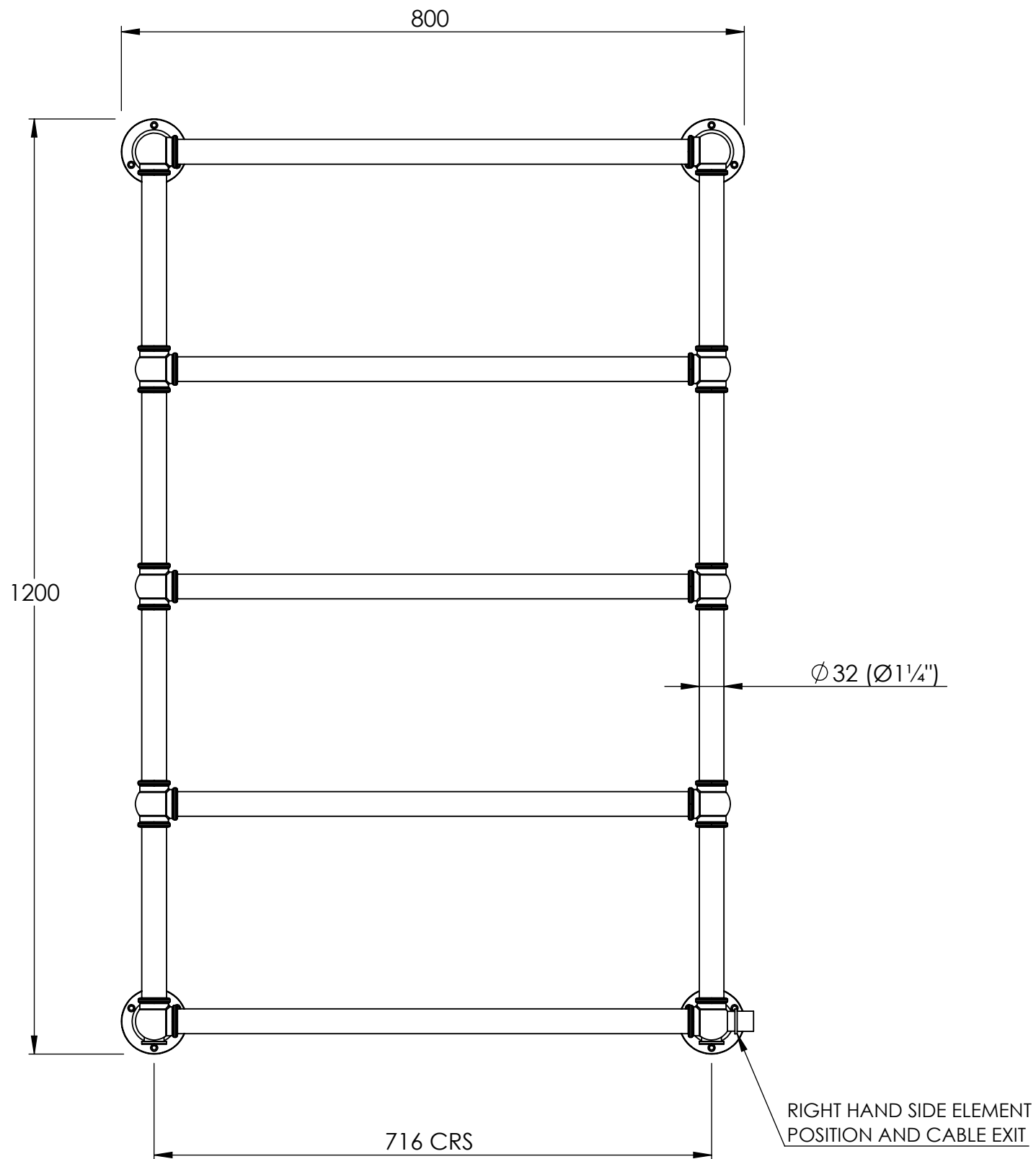


DO NOT SCALE DRAWING ALL DIMENSIONS ARE IN MILLIMETERS AND MAY VARY ± 5mm AS THEY ARE HANDMADE, HAND SOLDERED AND POLISHED  
 WE THEREFORE RECOMMEND THAT ANY INSTALLATION WORK BE CARRIED OUT UPON RECEIPT OF RAIL.

|   |             |   |            |
|---|-------------|---|------------|
| BTU/HR AT DELTA 60:   | 1423        | TEST PRESSURE:  | 6 BAR      |
| CONNECTIONS:  | FI 1/2" BSP | MAX WORKING PRESSURE:   | 3 BAR      |
|   |             | MAX WORKING TEMPERATURE:  | 100°C      |
| HEAT OUTPUT DETERMINED IN ACCORDANCE WITH EN 442  |             |   |            |
| BARD & BRAZIER LIMITED<br>MARSTON ROAD<br>WOLVERHAMPTON<br>WEST MIDLANDS<br>WV2 4LX<br>UK                         |             | T: +44 (0) 121 270 2222<br>E: INFO@BARDBRAZIER.CO.UK<br>WWW.BARDBRAZIER.CO.UK |            |
| <b>TITLE:</b><br>LA FAYETTE WALL MOUNTED TOWEL RAIL<br>1200 x 800mm - HYDRONIC                                    |             |   |            |
|   |             | SCALE:  | DATE:      |
|   |             | 1:7   | 13/04/2018 |
| BARD & BRAZIER RAILS ARE MADE IN ENGLAND<br>FROM HIGH QUALITY BRASS AND CAN BE USED<br>ON OPEN OR CLOSED CIRCUITS |             | PRODUCT CODE:<br><b>LFW120-80</b>   |            |



BARD & BRAZIER



REFER TO PAGE 2 FOR ELECTRICAL CONNECTION AND CABLE COVER SPECIFICATION

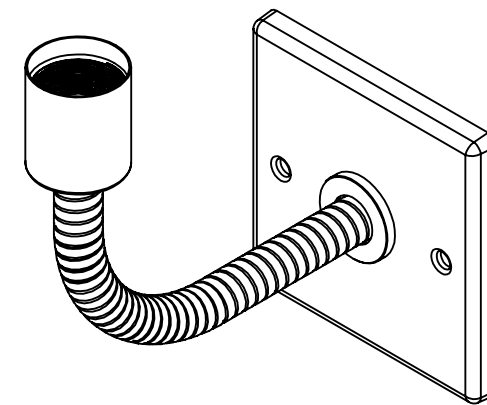
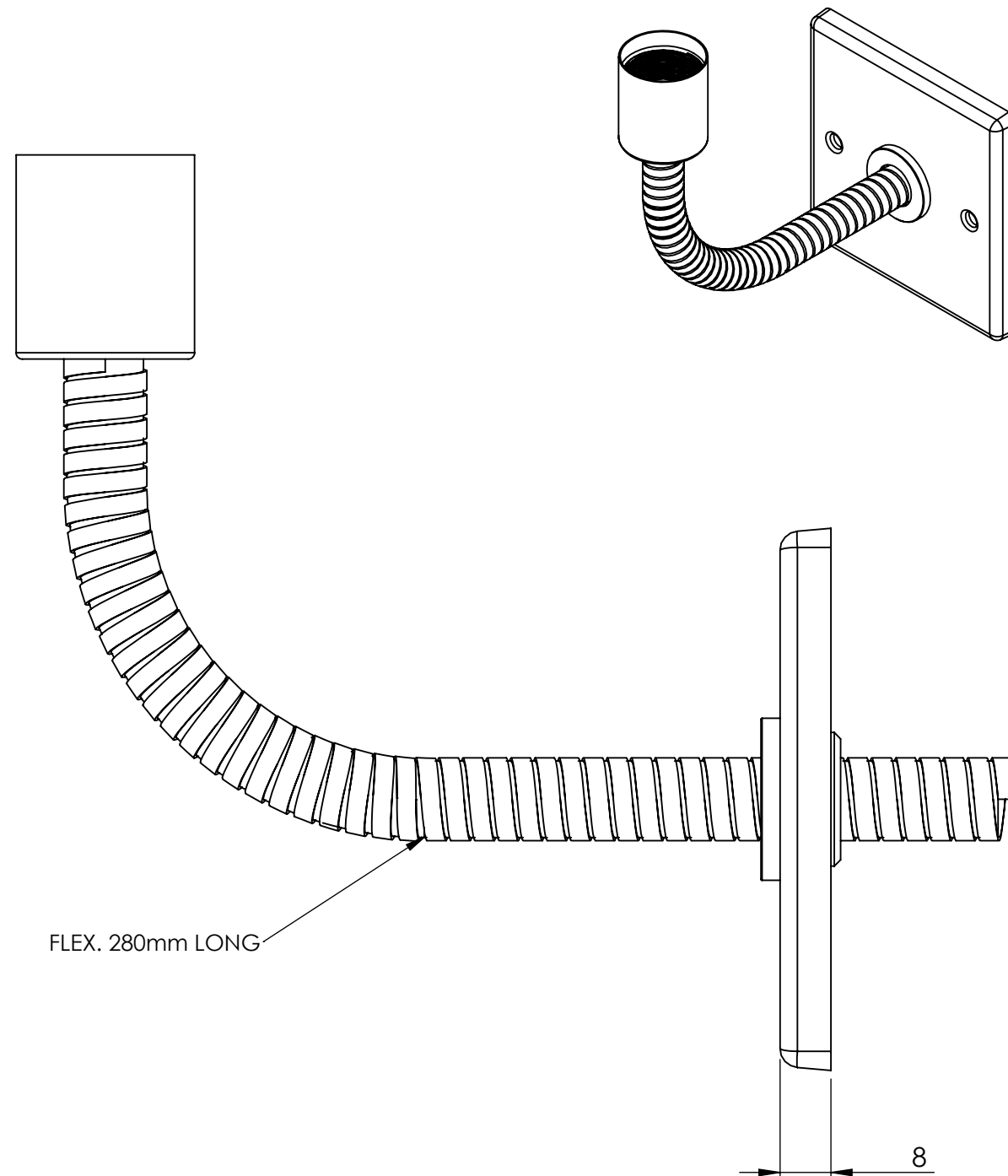
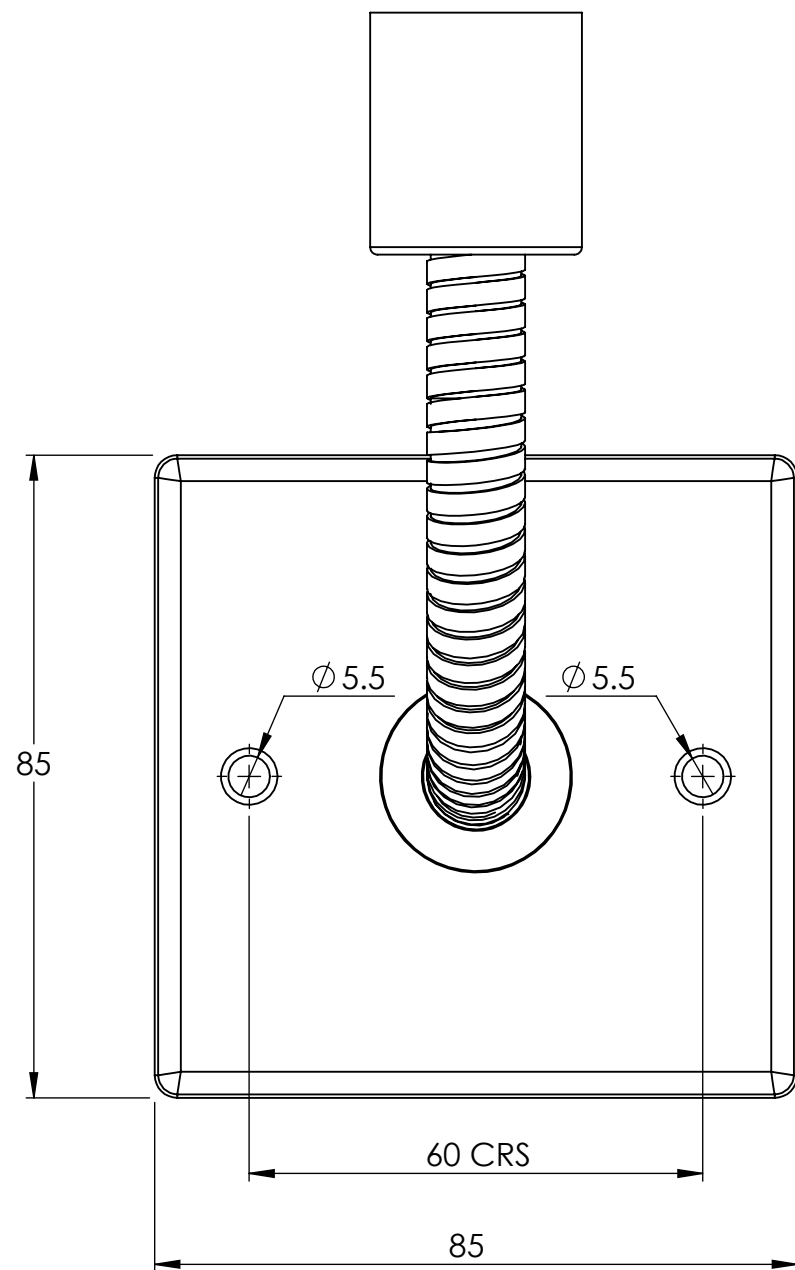
DO NOT SCALE DRAWING ALL DIMENSIONS ARE IN MILLIMETERS AND MAY VARY ± 5mm AS THEY ARE HANDMADE, HAND SOLDERED AND POLISHED

WE THEREFORE RECOMMEND THAT ANY INSTALLATION WORK BE CARRIED OUT UPON RECEIPT OF RAIL.

|   |      |   |             |
|---|------|---|-------------|
| BTU/HR AT DELTA 60:   | 1423 | TEST PRESSURE:  | 6 BAR       |
| ELECTRICAL ELEMENT WATTAGE:   | 200  | MAX WORKING TEMPERATURE:  | 100°C       |
|   |      | CONNECTIONS   | FI 1/2" BSP |
| HEAT OUTPUT DETERMINED IN ACCORDANCE WITH EN 442  |      |   |             |
| BARD & BRAZIER LIMITED<br>MARSTON ROAD<br>WOLVERHAMPTON<br>WEST MIDLANDS<br>WV2 4LX<br>UK                         |      | T: +44 (0) 121 270 2222<br>E: INFO@BARDBRAZIER.CO.UK<br>WWW.BARDBRAZIER.CO.UK |             |
| TITLE:<br>LA FAYETTE WALL MOUNTED TOWEL RAIL<br>1200 x 800mm - DUAL FUEL  |      |   |             |
| BARD & BRAZIER RAILS ARE MADE IN ENGLAND<br>FROM HIGH QUALITY BRASS AND CAN BE USED<br>ON OPEN OR CLOSED CIRCUITS |      | SCALE:  | DATE:       |
|   |      | 1:7   | 13/04/2018  |
| BARD & BRAZIER  |      | PRODUCT CODE:   |             |
|   |      | LFW120-80DF   |             |



BARD & BRAZIER



**FINISH TO MATCH WITH CHOSEN RAIL**

DO NOT SCALE DRAWING ALL DIMENSIONS ARE IN MILLIMETERS AND MAY VARY ± 5mm AS THEY ARE HANDMADE, HAND SOLDERED AND POLISHED

WE THEREFORE RECOMMEND THAT ANY INSTALLATION WORK BE CARRIED OUT UPON RECEIPT OF RAIL.

BARD & BRAZIER LIMITED T: +44 (0) 121 270 2222  
 MARSTON ROAD E: INFO@BARDBRAZIER.CO.UK  
 WOLVERHAMPTON  
 WEST MIDLANDS WWW.BARDBRAZIER.CO.UK  
 WV2 4LX  
 UK

BARD & BRAZIER RAILS ARE MADE IN ENGLAND FROM HIGH QUALITY BRASS

TITLE:  
ELECTRICAL KIT ASSEMBLY

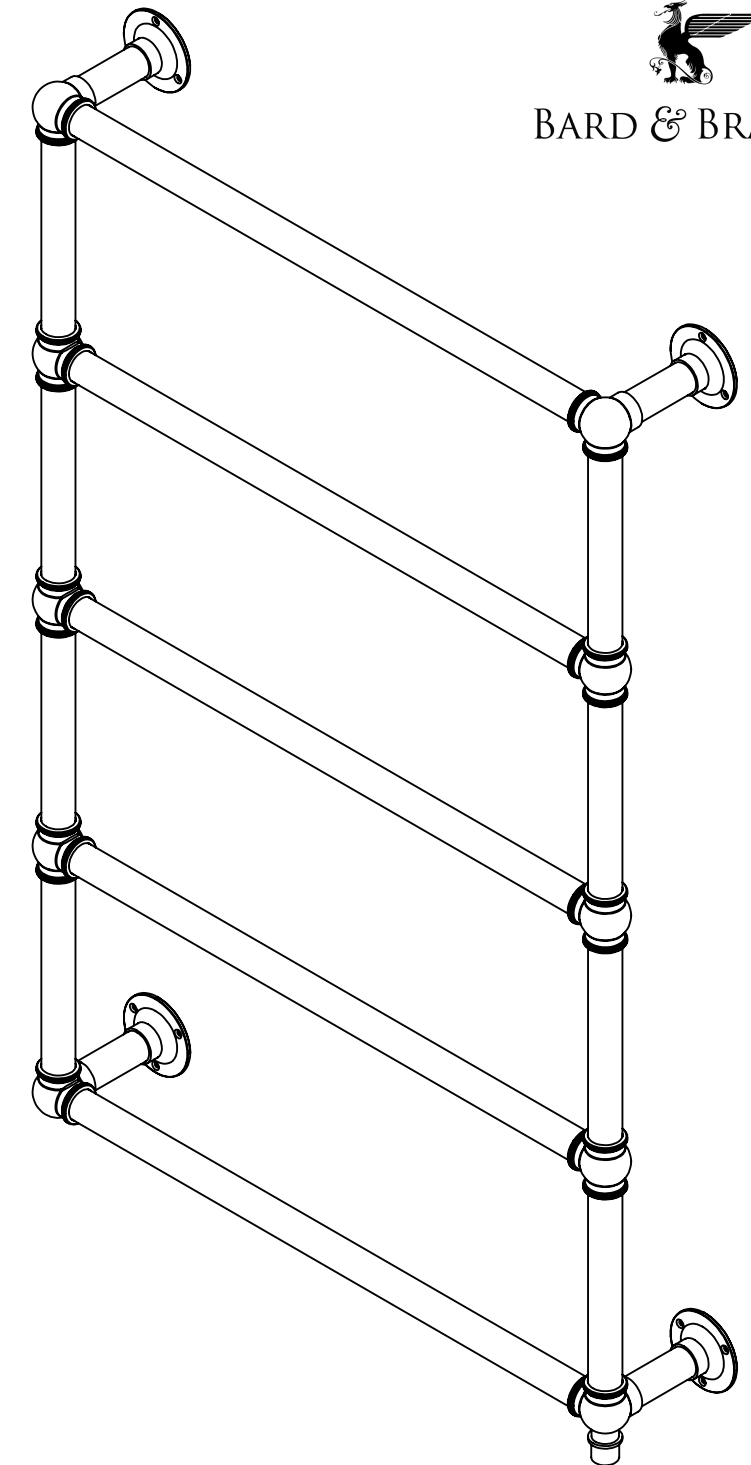
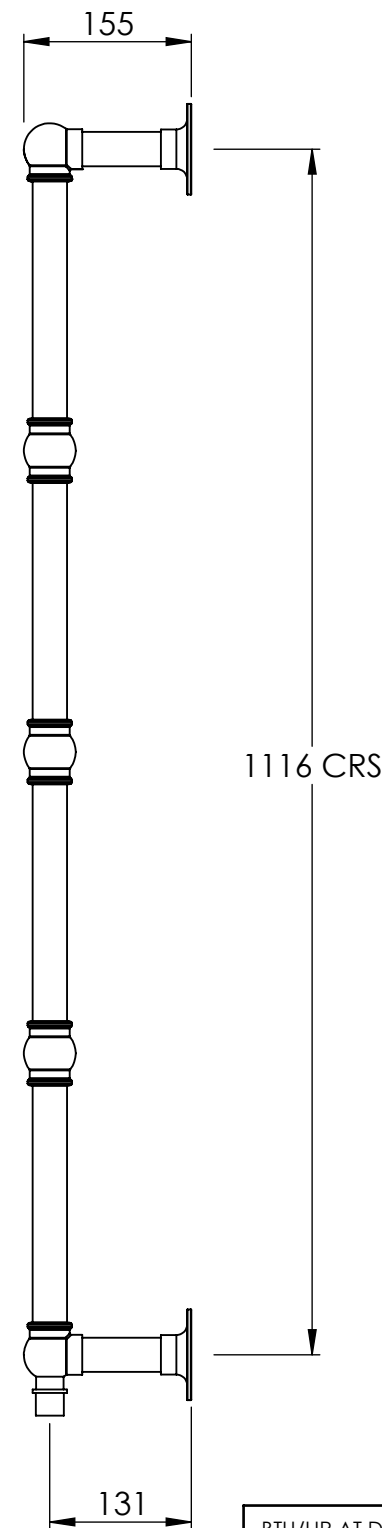
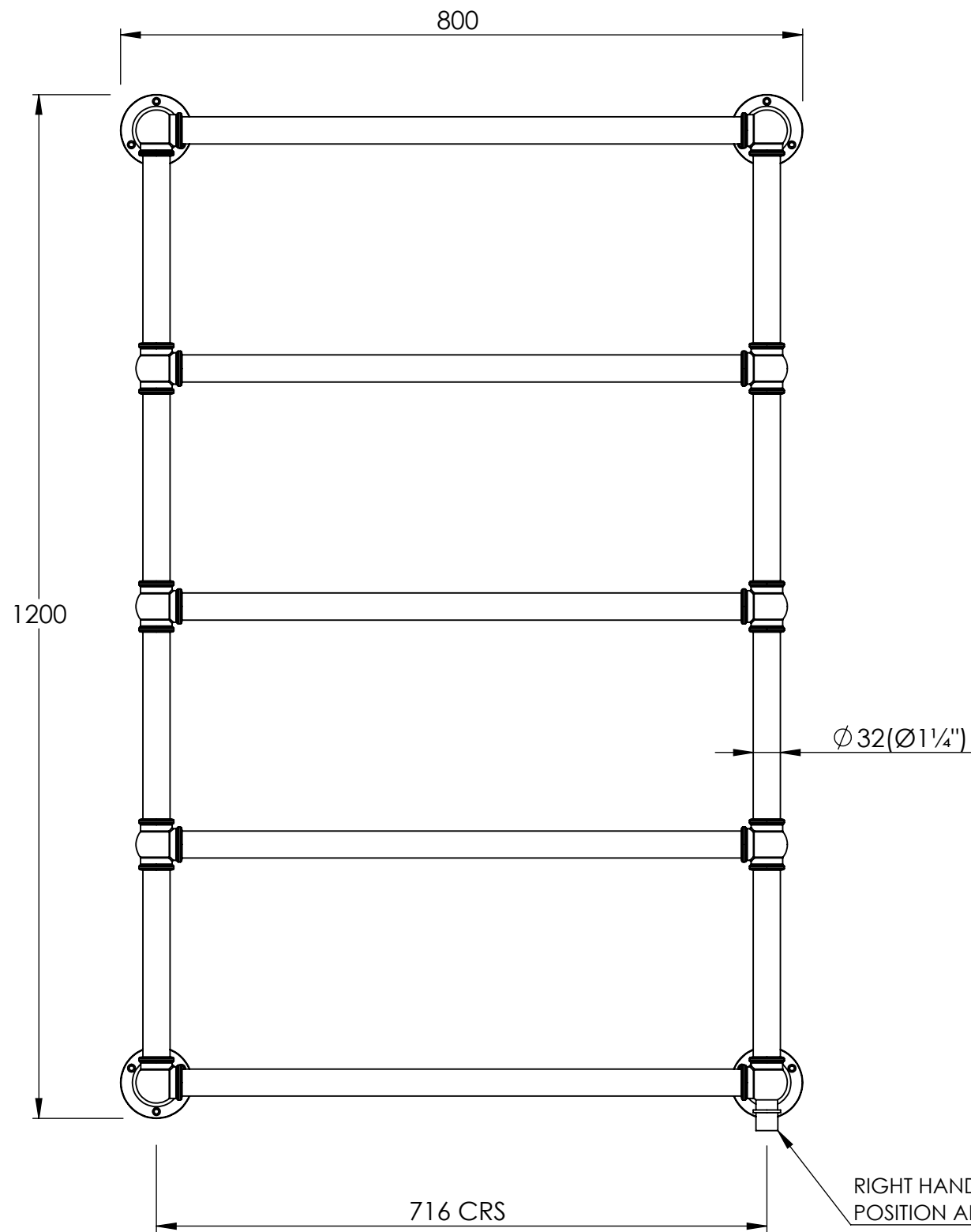


SCALE: 1:1 DATE: 07/08/2018

PRODUCT CODE:  
E201



BARD & BRAZIER




REFER TO PAGE 2 FOR ELECTRICAL CONNECTION AND COVER PLATE SPECIFICATION

DO NOT SCALE DRAWING ALL DIMENSIONS ARE IN MILLIMETERS AND MAY VARY ± 5mm AS THEY ARE HANDMADE, HAND SOLDERED AND POLISHED

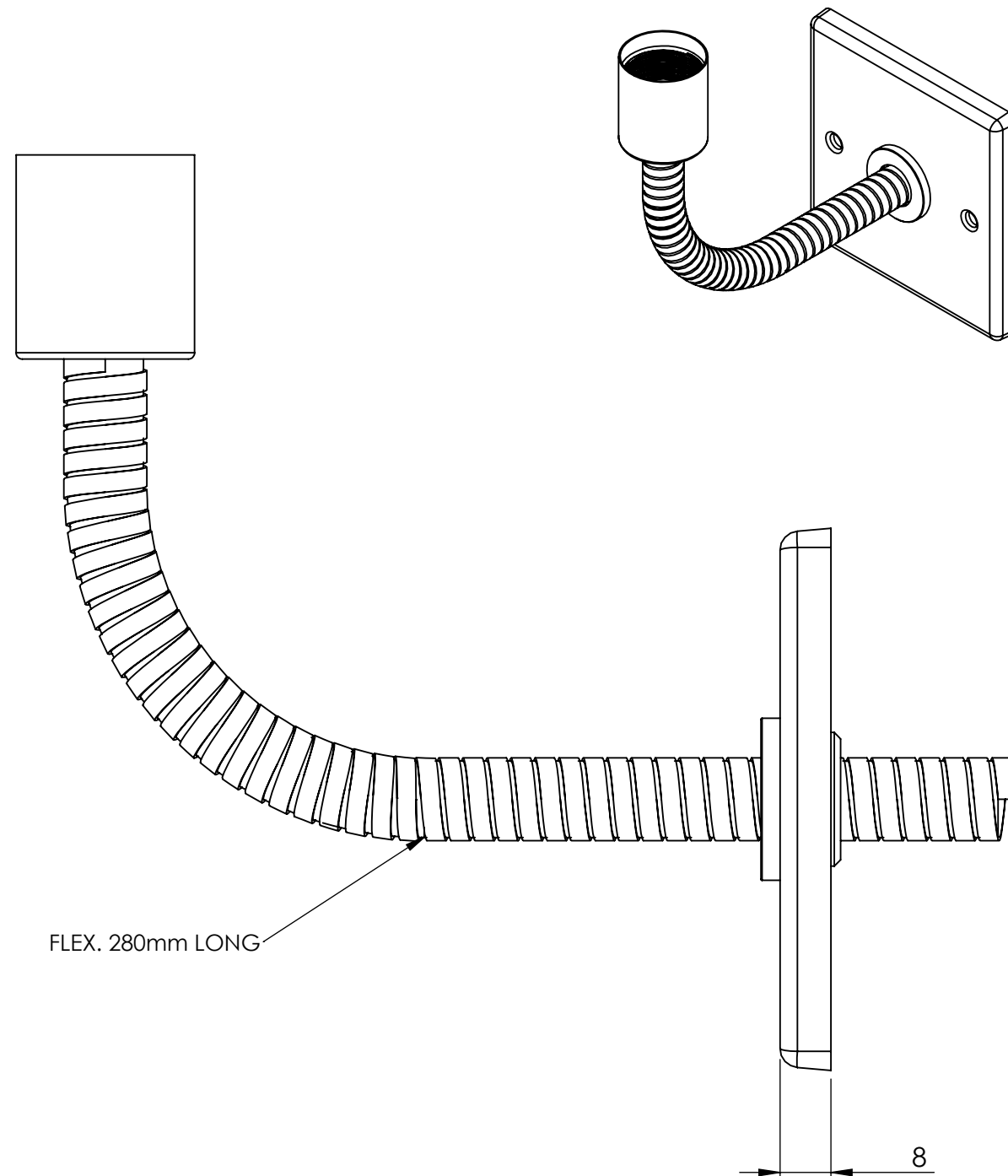
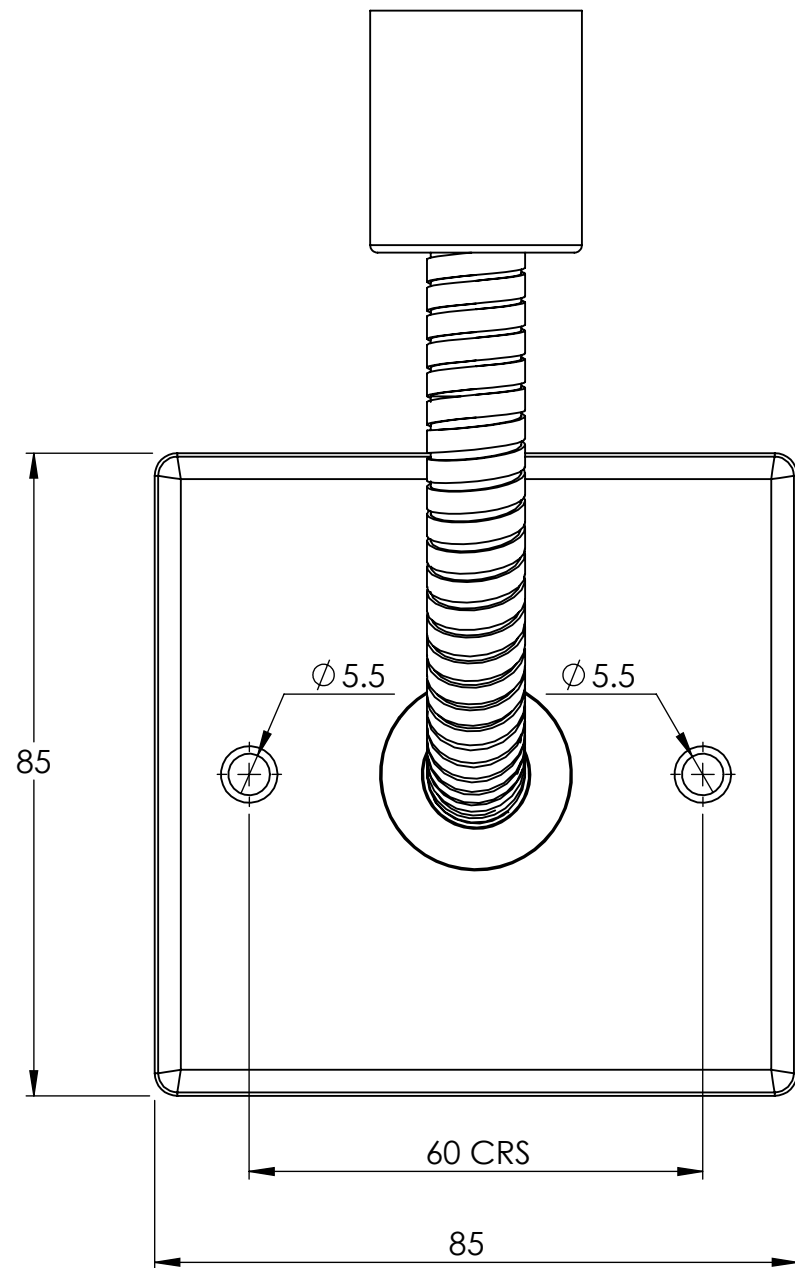
WE THEREFORE RECOMMEND THAT ANY INSTALLATION WORK BE CARRIED OUT UPON RECEIPT OF RAIL.

|  |      |                          |       |
|--|------|--------------------------|-------|
| BTU/HR AT DELTA 60:                              | 1423 | TEST PRESSURE:           | 6 BAR |
| ELECTRICAL ELEMENT WATTAGE:                      | 200  | MAX WORKING TEMPERATURE: | 100°C |
| HEAT OUTPUT DETERMINED IN ACCORDANCE WITH EN 442 |      |                          |       |

|  |   |               |   |                              |
|--|---|---------------|---|------------------------------|
| BARD & BRAZIER LIMITED<br>MARSTON ROAD<br>WOLVERHAMPTON<br>WEST MIDLANDS<br>WV2 4LX<br>UK<br><br>BARD & BRAZIER RAILS ARE MADE IN ENGLAND<br>FROM HIGH QUALITY BRASS | T: +44 (0) 121 270 2222<br>E: INFO@BARDBRAZIER.CO.UK<br><br>WWW.BARDBRAZIER.CO.UK     |               | <b>TITLE:</b><br>LA FAYETTE WALL MOUNTED TOWEL RAIL<br>1200 x 800mm - SEALED ELECTRIC |                              |
|  |  | SCALE:<br>1:7 | DATE:<br>13/04/2018   | PRODUCT CODE:<br>LFW120-80SE |



BARD & BRAZIER



**FINISH TO MATCH WITH CHOSEN RAIL**

DO NOT SCALE DRAWING ALL DIMENSIONS ARE IN MILLIMETERS AND MAY VARY ± 5mm AS THEY ARE HANDMADE, HAND SOLDERED AND POLISHED  
WE THEREFORE RECOMMEND THAT ANY INSTALLATION WORK BE CARRIED OUT UPON RECEIPT OF RAIL.

BARD & BRAZIER LIMITED T: +44 (0) 121 270 2222  
MARSTON ROAD E: INFO@BARDBRAZIER.CO.UK  
WOLVERHAMPTON  
WEST MIDLANDS WWW.BARDBRAZIER.CO.UK  
WV2 4LX  
UK

BARD & BRAZIER RAILS ARE MADE IN ENGLAND  
FROM HIGH QUALITY BRASS

TITLE:  
ELECTRICAL KIT ASSEMBLY



SCALE: 1:1 DATE: 07/08/2018  
PRODUCT CODE: E201