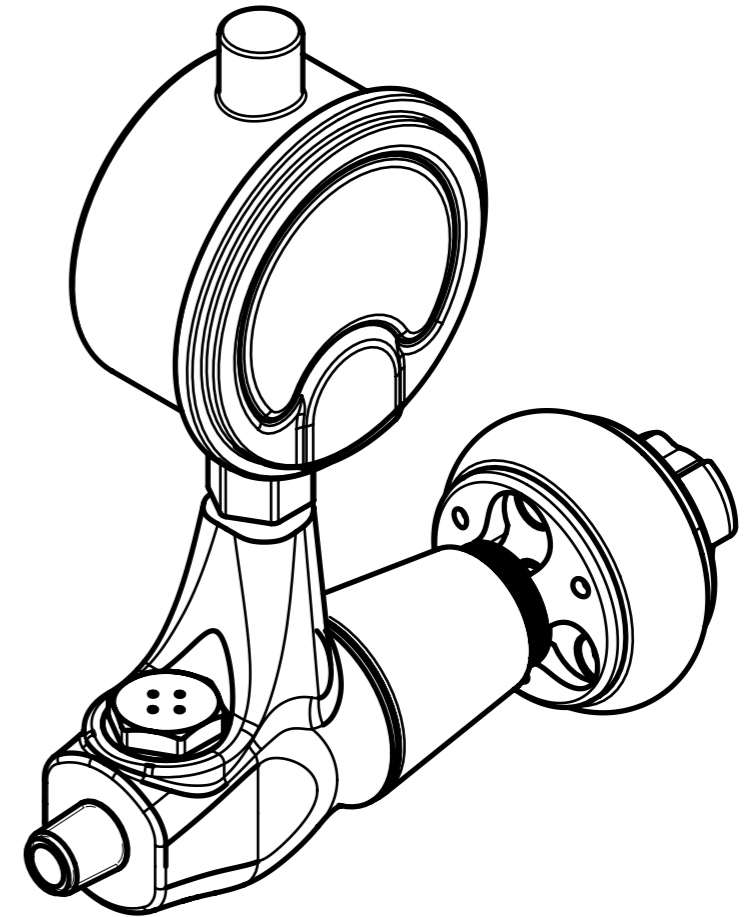
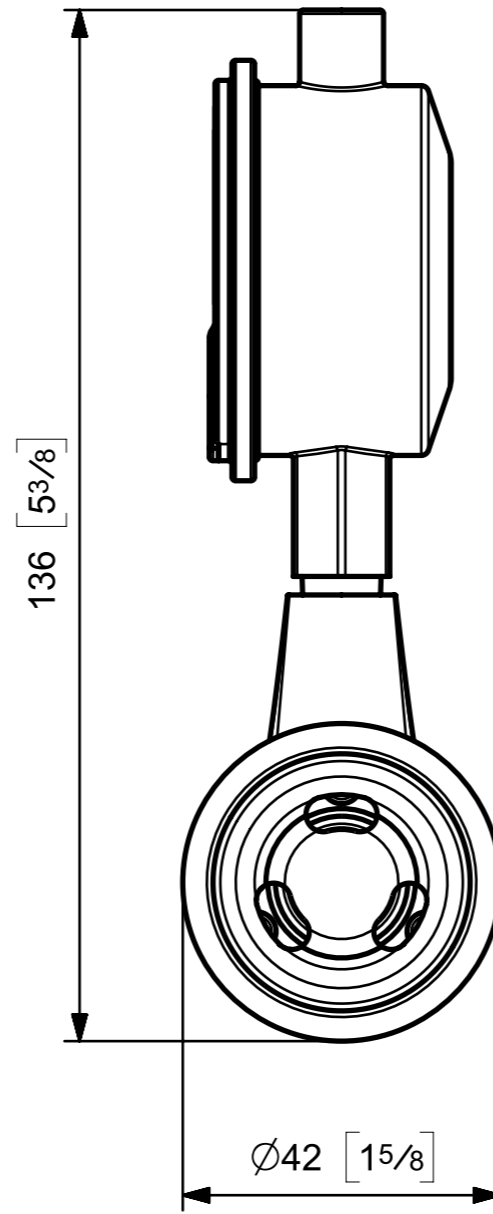
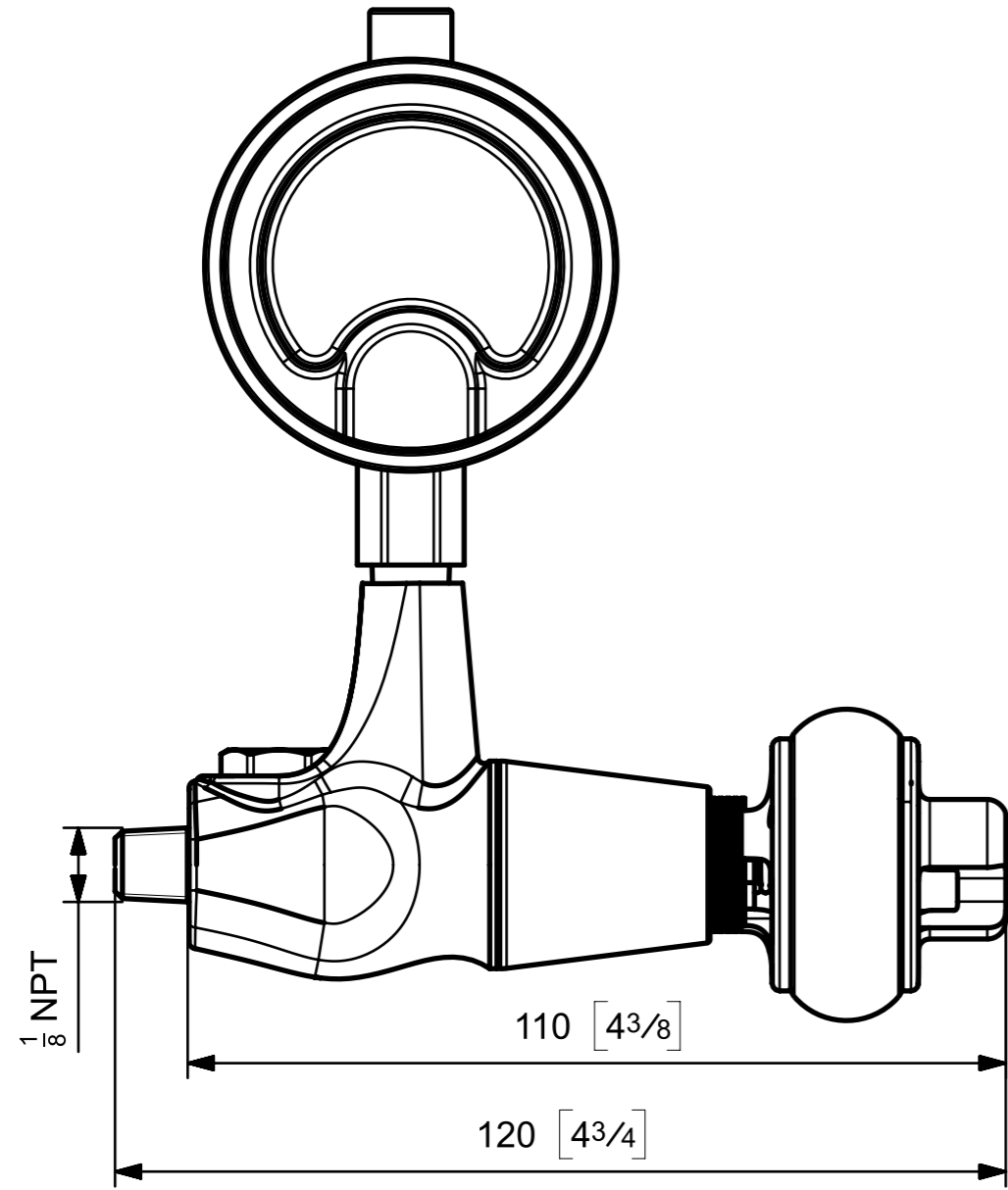


Notes
 Dual dimensions are given in millimetres followed by [inches].
 Castrads Ltd, not to be reproduced without written consent.



Responsible dept. Product	Technical reference: J. Riley	Document type Dimensions Drawing	Document status Public Release	Material Brass	Weight 0.64KG	Scale 1:1
Castrads Est. 2006	Created by: J. Riley	Title, supplementary title Windsor One-Pipe Steam TRV		WIN-TRV-1223-[DD]		
	Approved by: J. Riley			Rev. A	Date of Issue 06.09.2024	Lang. en