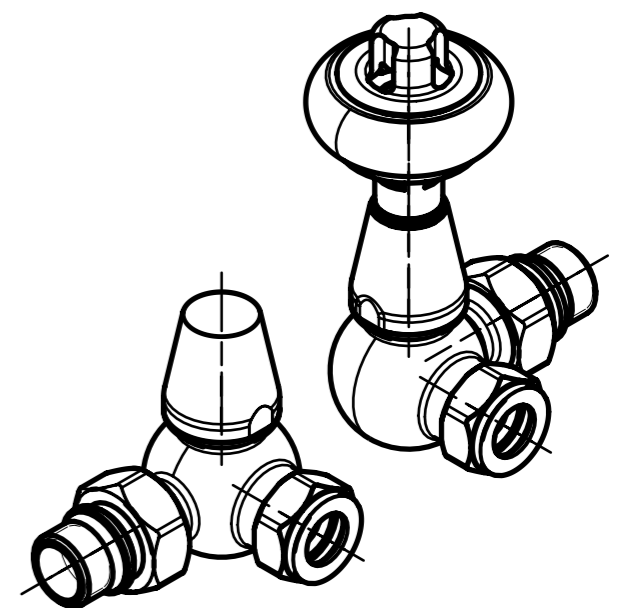
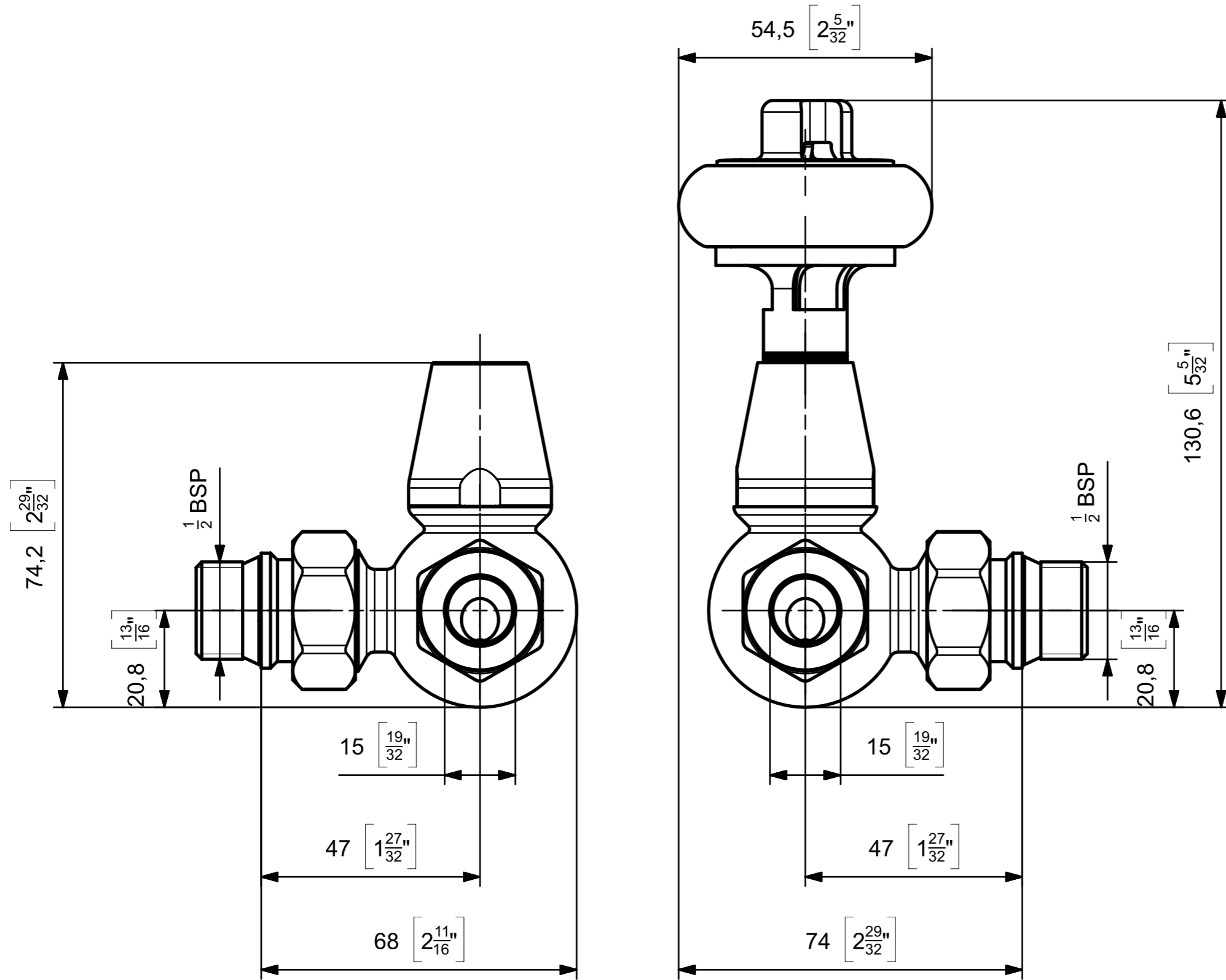


Notes

Dual dimensions are given in millimetres followed by [inches].

Castrads Ltd, not to be reproduced without written consent.



Responsible dept.	Technical reference:	Document type	Document status	Material	Weight	Size
Product	J. Riley	Dimensions Drawing	Public Release	Brass	1.2KG	A3
Castrads Est. 2006	Created by:	Title, supplementary title		WIN-TLP-3112-[DD]_dwg2		
	J. Riley	Windsor Corner TRV		Rev.	Date of Issue	Lang.
	Approved by:			A	05.11.2024	en
J. Riley						Sheet 1/1