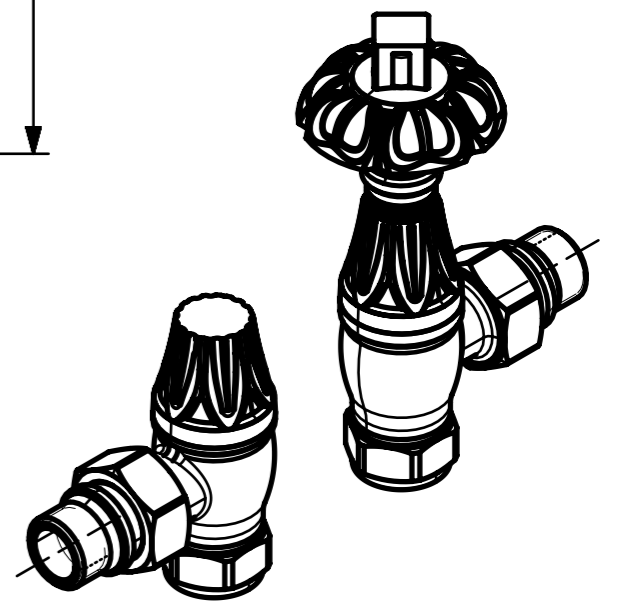
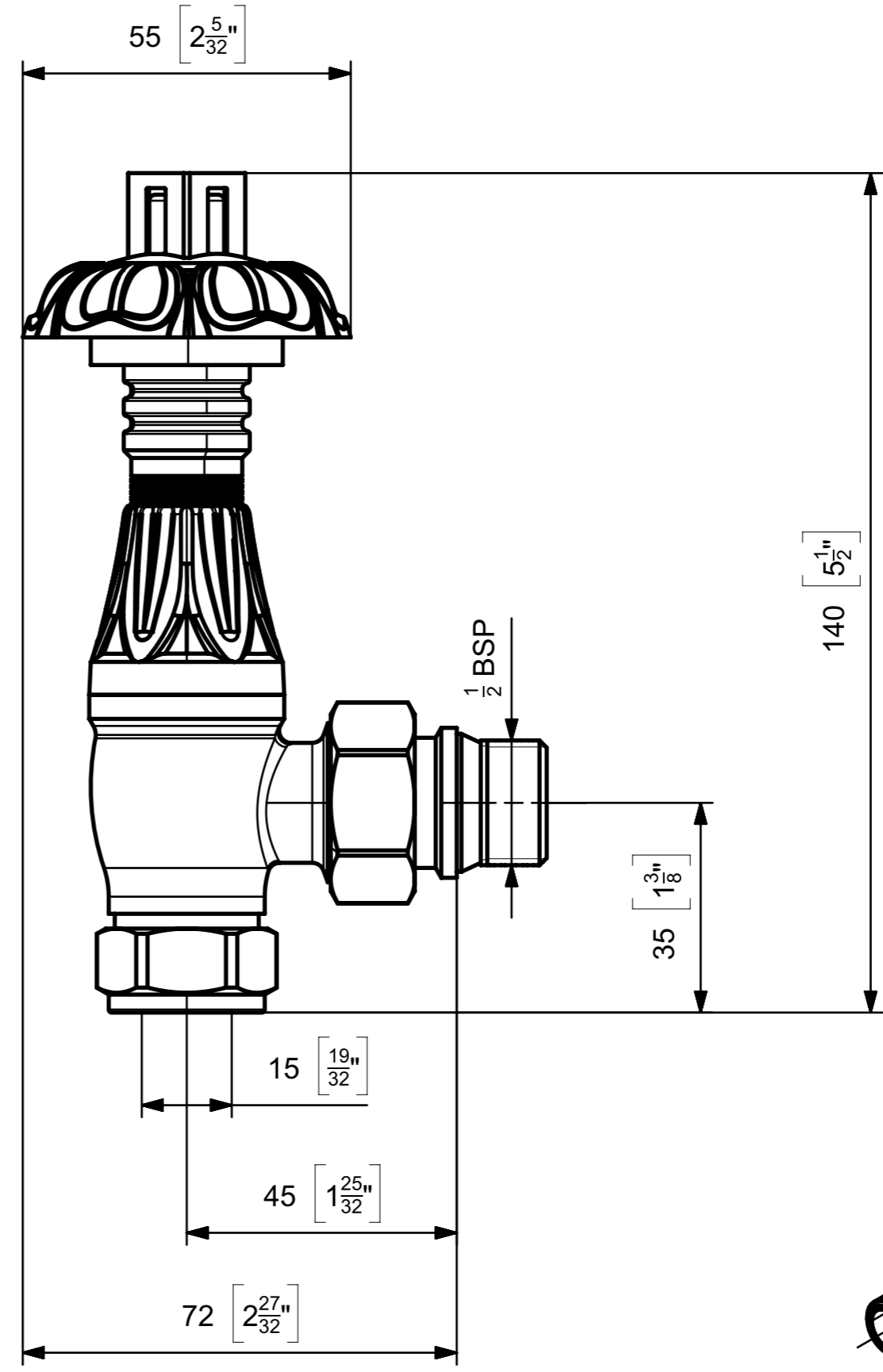
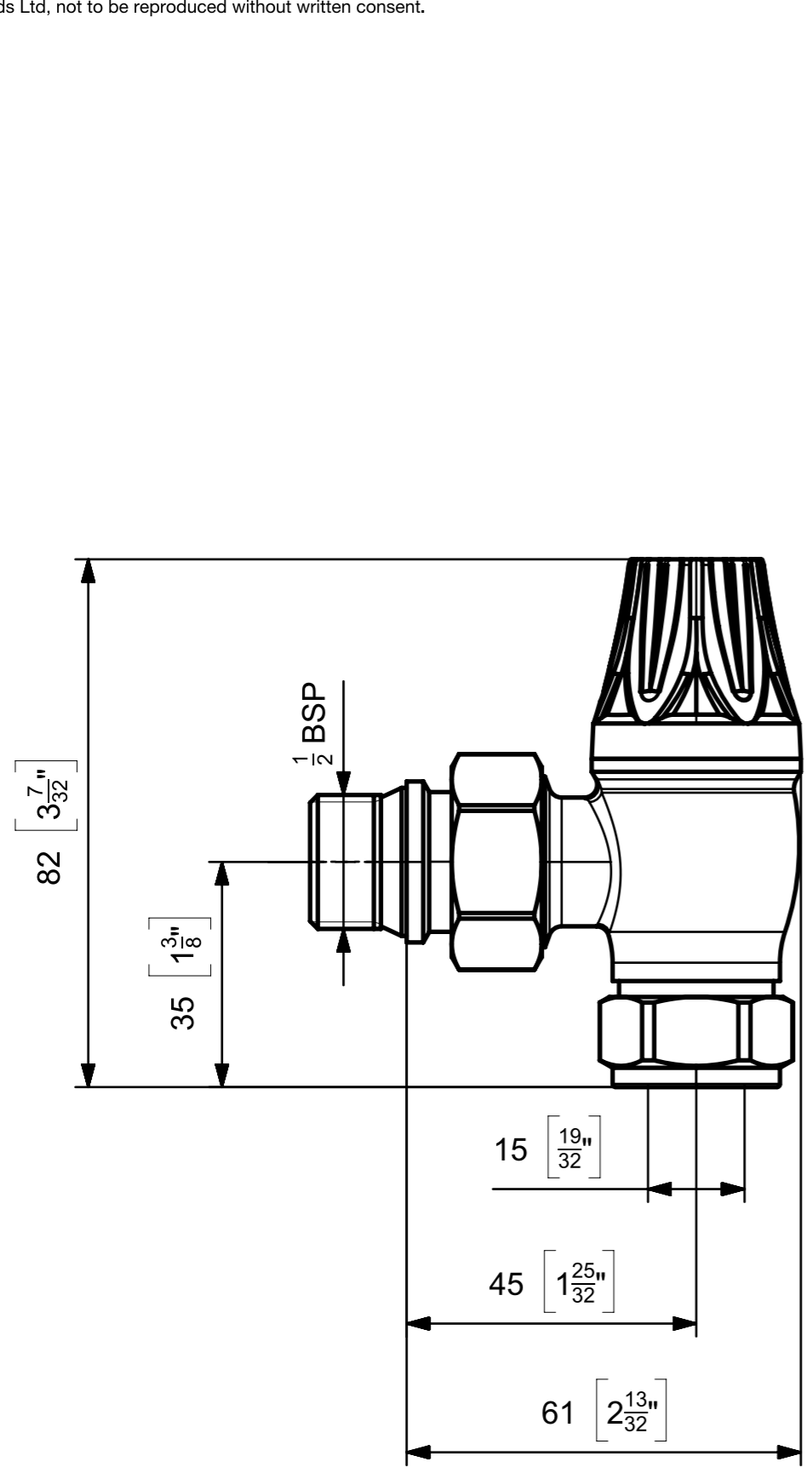


Notes
 Dual dimensions are given in millimetres followed by [inches].
 Castrads Ltd, not to be reproduced without written consent.



Responsible dept.	Technical reference:	Document type	Document status	Material	Weight	Scale
Product	J. Riley	Dimensions Drawing	Public Release	Brass	1.8KG	1:1
Castrads Est. 2006	Created by:	Title, supplementary title		CHT-TLP-3111-[DD]_dwg1		
	J. Riley					
	Approved by:	Chatsworth Angled TRV - Control Valve		Rev.	Date of Issue	Lang.
	N. Baylis			A	18.12.2024	en