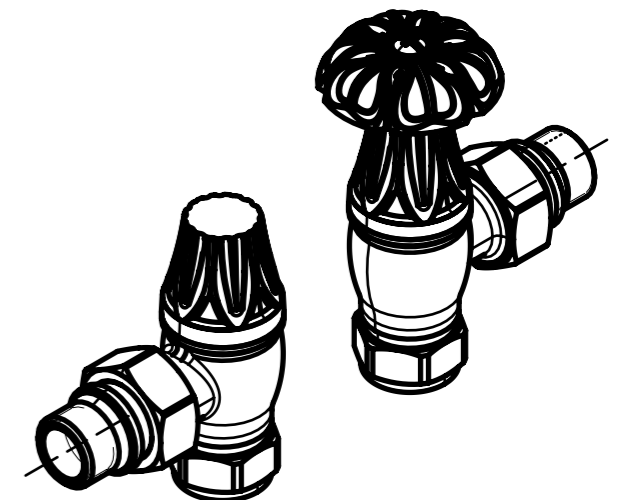
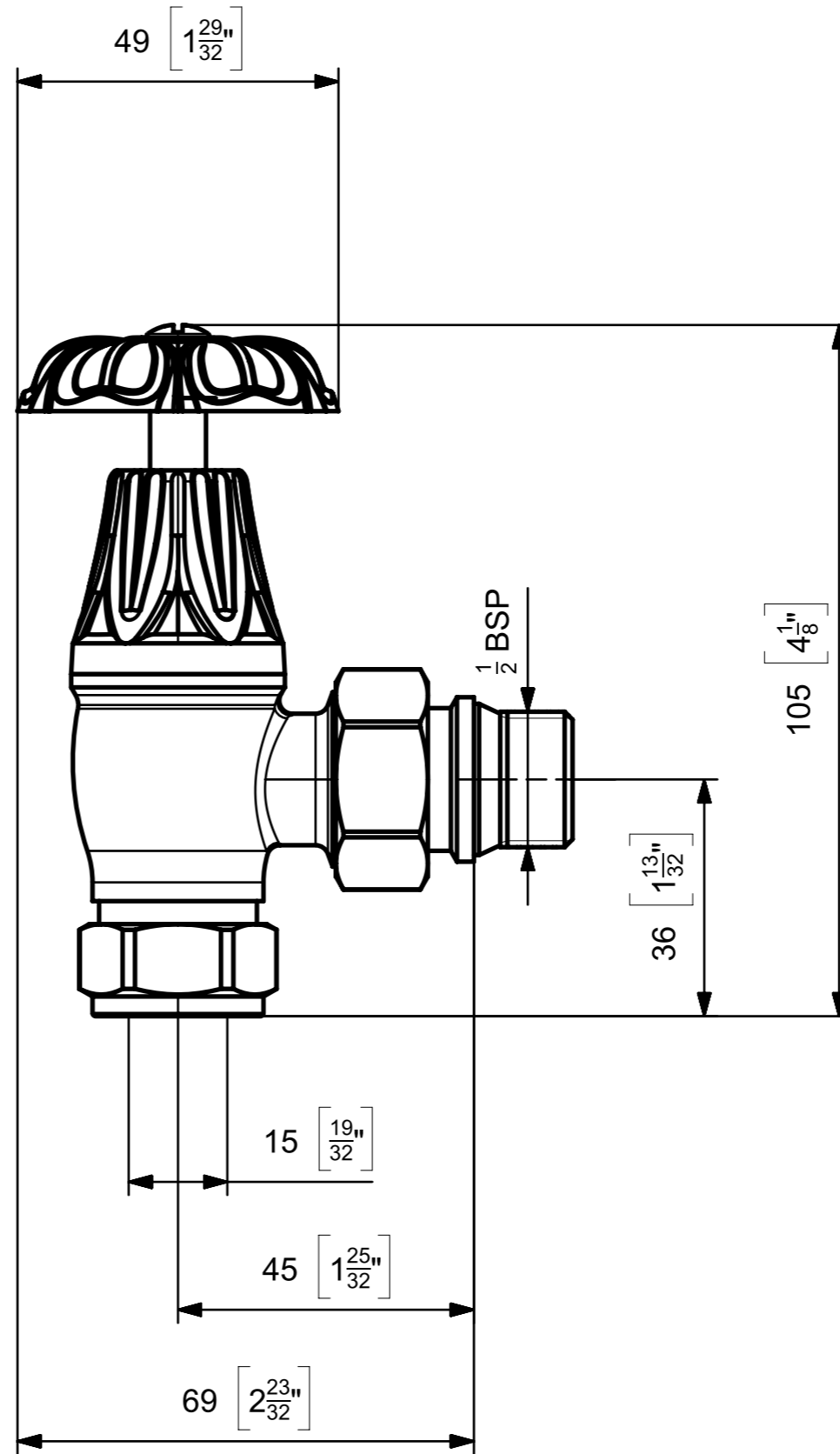
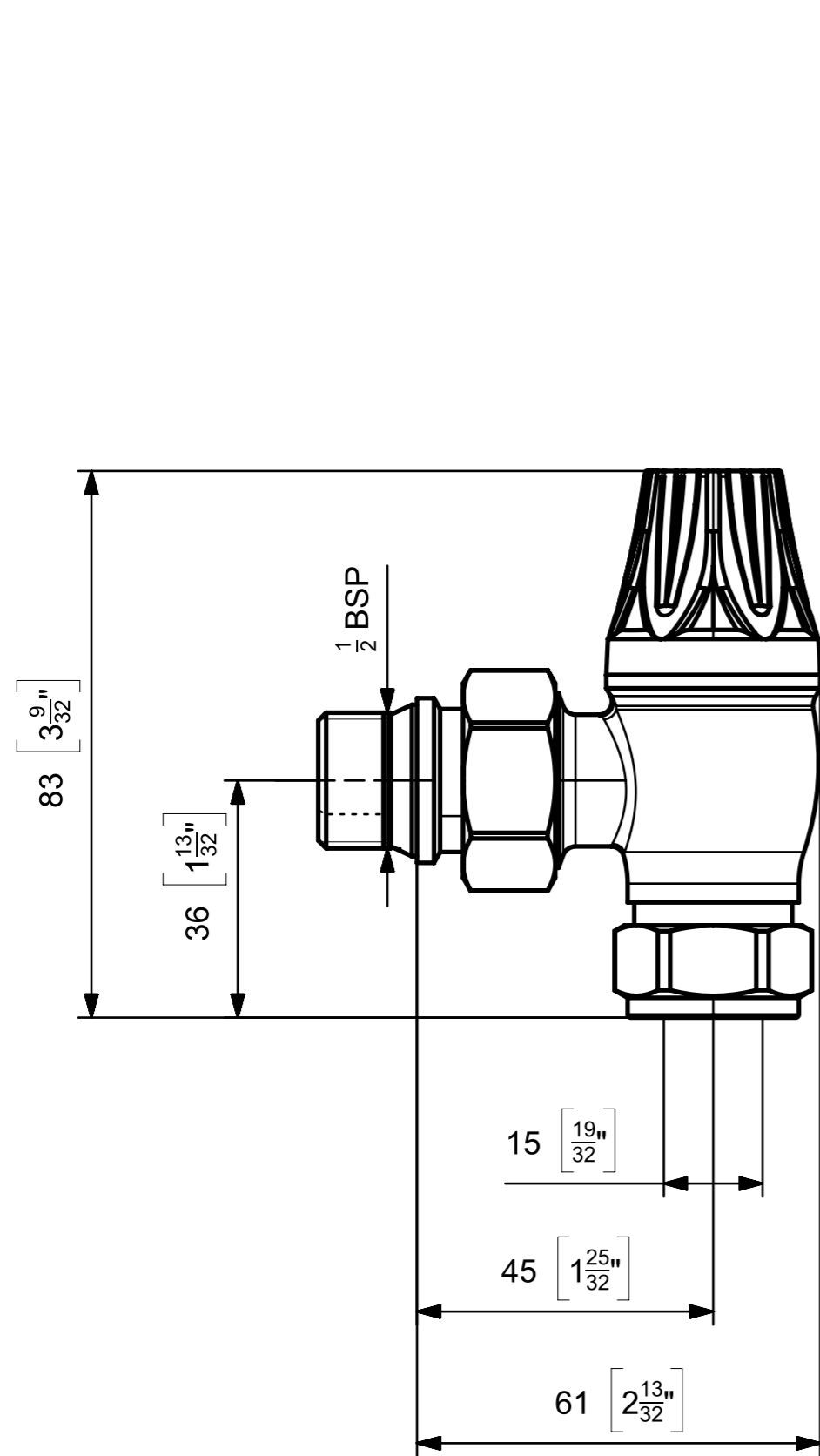


**Notes**  
 Dual dimensions are given in millimetres followed by [inches].  
 Castrads Ltd, not to be reproduced without written consent.



Responsible dept.	Technical reference:	Document type	Document status	Material	Weight KG	Scale 1:1
Castrads Est. 2006	Created by:	Title, supplementary title		CHT-MLP-3111-[DD]_dwg1		
	Approved by:			Rev.	Date of Issue	Lang.
			A	01.01.2022	en	1/1