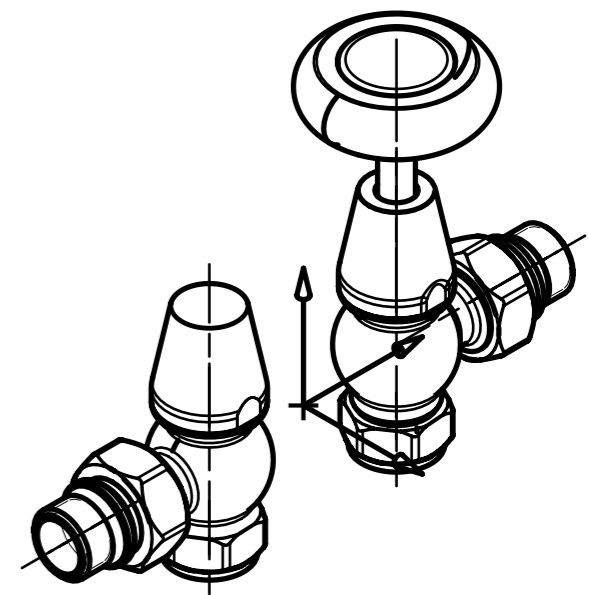
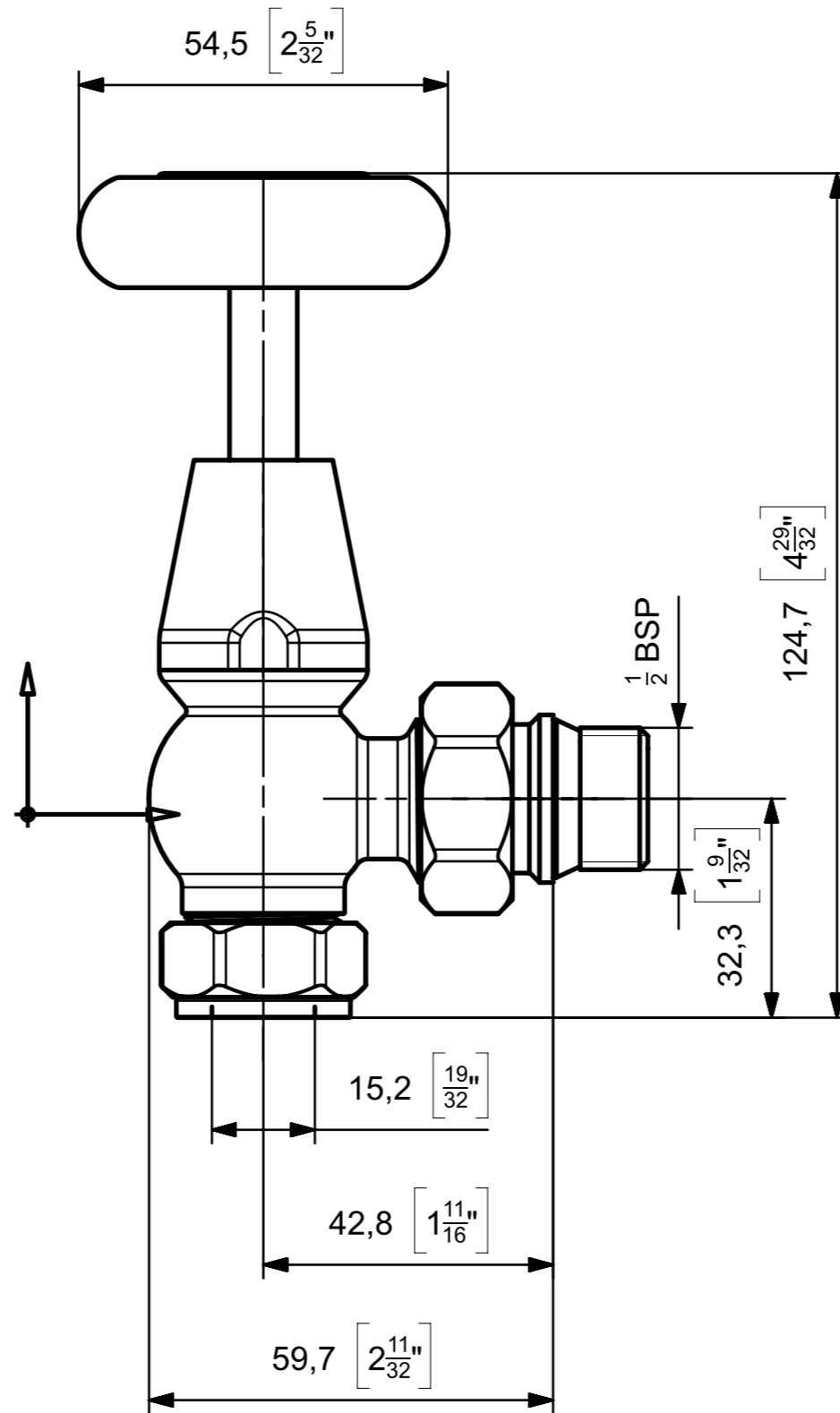
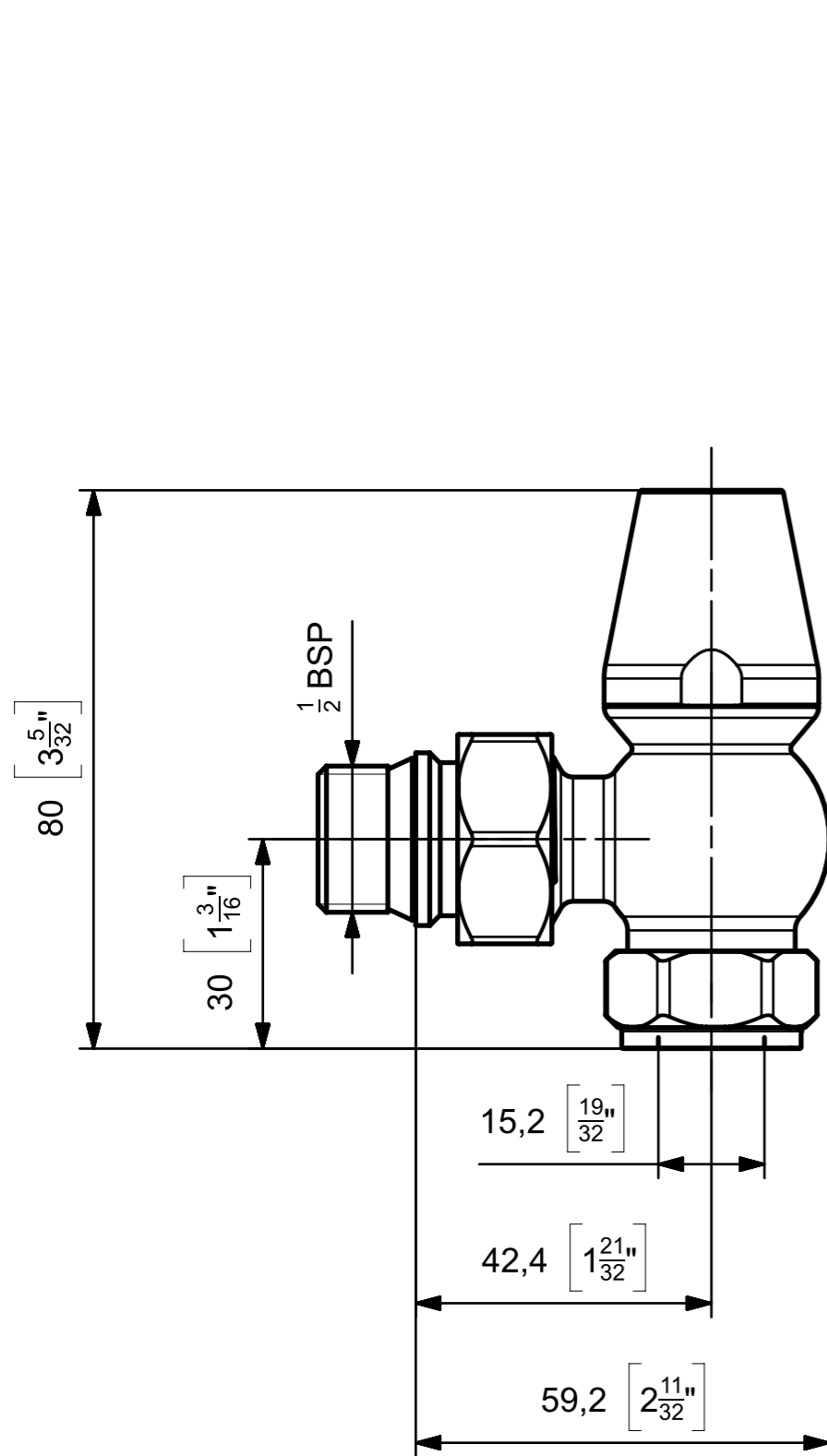


**Notes**  
 Dual dimensions are given in millimetres followed by [inches].  
 Castrads Ltd, not to be reproduced without written consent.



Responsible dept.	Technical reference:	Document type	Document status	Material	Weight	Scale
Product	J. Riley	Dimesnsions Drawing	Public Release	Brass	0.9KG	1:1
<b>Castrads</b> Est. 2006	Created by:	Title, supplementary title		WIN-MLP-3111-[DD]_dwg1		
	J. Riley	Windsor Angled Manual		Rev.	Date of Issue	Lang.
	Approved by:			A	05.11.2024	en
	J. Riley					Sheet 1/1